

BLUE GIANT®

AFTERMARKET SOLUTIONS

***Avoid costly repairs.
Keep your doors as
well as your profits and
workflow from going
off track.***

Blue Giant Door Track Guards are specially designed to protect doors in high-traffic areas, preventing impact damage from forklifts, motorized pallet movers, and other warehouse vehicles.

Designed for Effective Track Protection

The track guard wraps around a door track without interfering with the door's operation. Powder coat finish in safety yellow enables high visibility.

Built for Strength

Low-profile with a 45-degree angled flange to provide added strength and protection from side impacts.

Ready to Install

Comes with a 1/4" (76mm) foot plate drilled for three anchors, as well as a wall flange drilled for three anchors for maximum support.

Sized for your Application

Available in 24", 36" and 48" (610, 914, and 1219mm) heights. Guards are 10 3/4" (273mm) wide and 9" (227mm) deep.

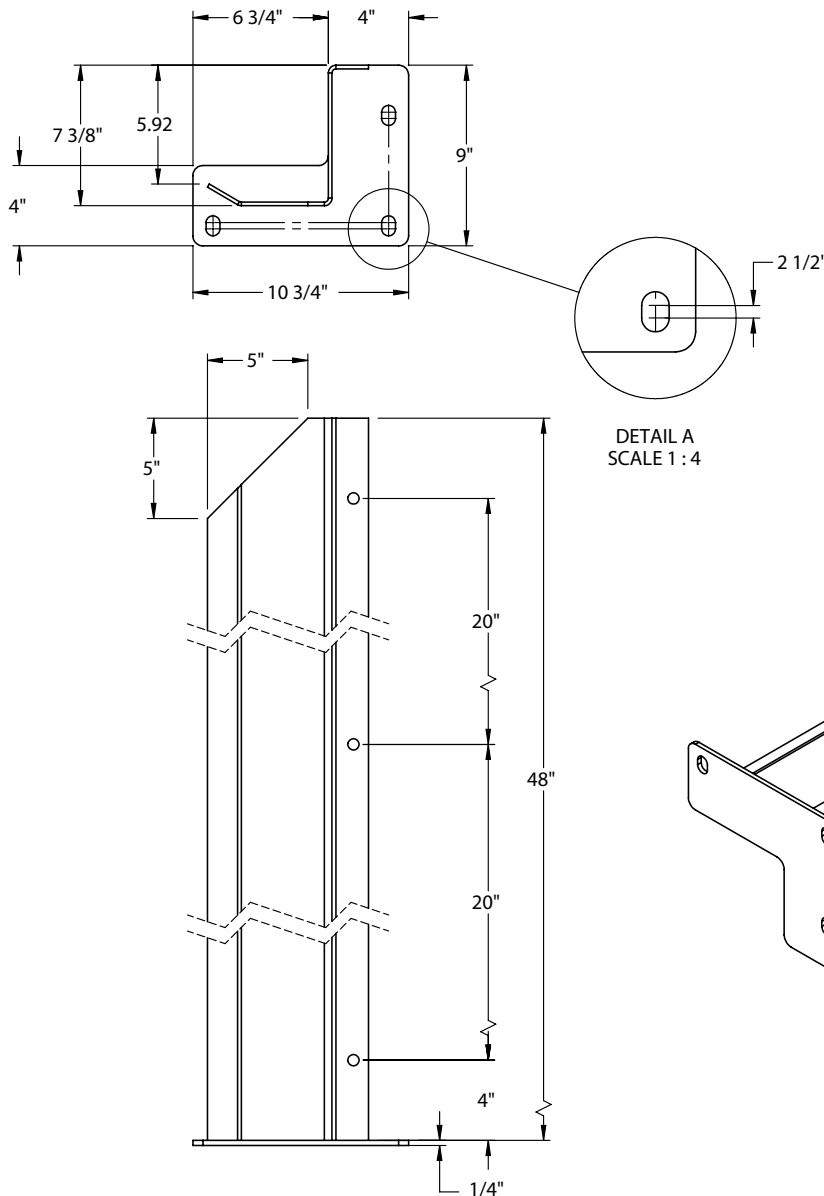
Door Track Guards

Door Track Guards

A damaged overhead door track can mean lost time, money, and productivity as well as a security breach if the door cannot be closed. Blue Giant Door Track Guards guard your doors and your profits – throughout the busiest work days.

Specifications

48" Track Guard shown.



Part Number	Size (Height)
70-0005-24-6	24" (610mm)
70-0005-36-6	36" (914mm)
70-0005-48-6	48" (1219mm)

NOTE: Only height dimension changes – all other dimensions remain the same for 24" and 36" sizes.

